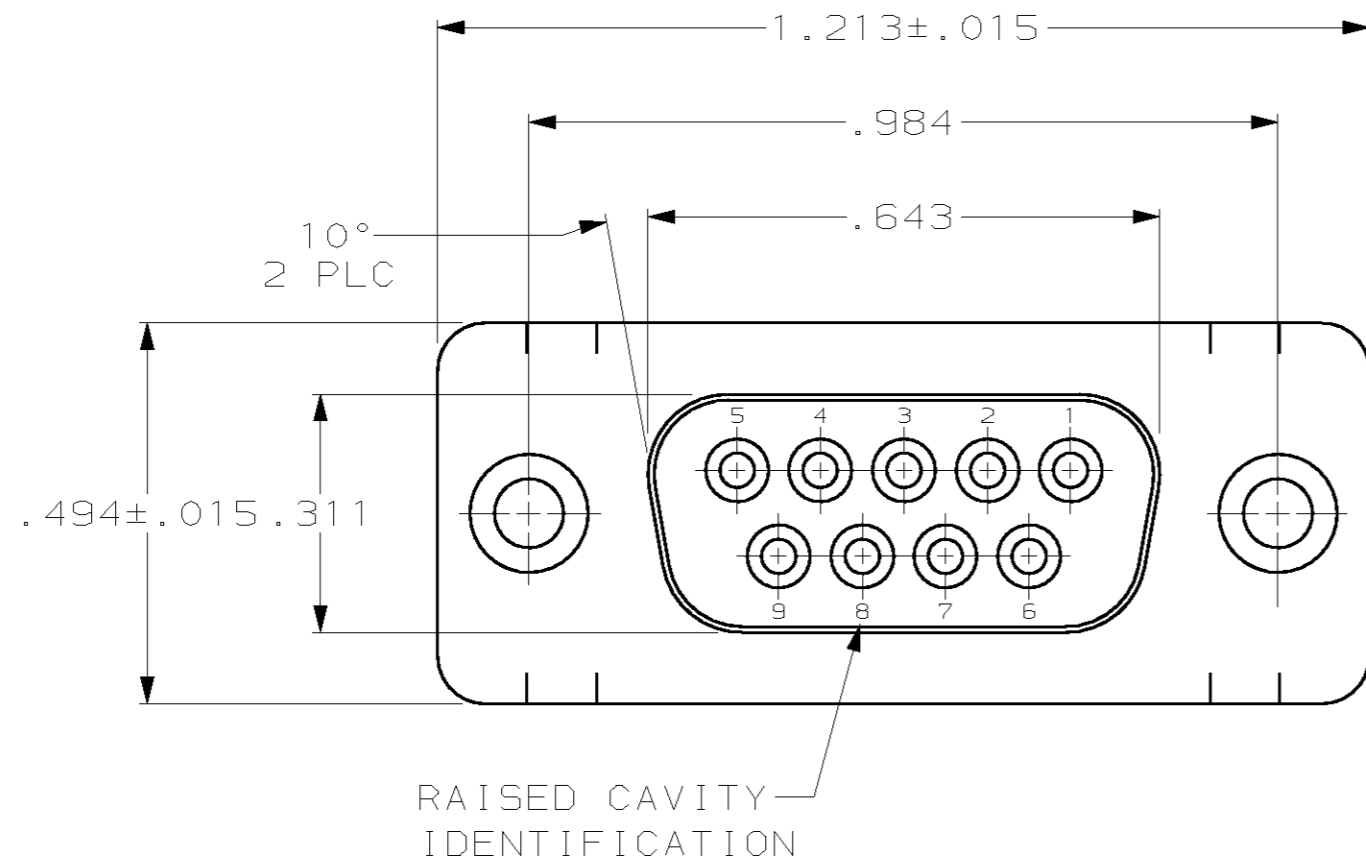
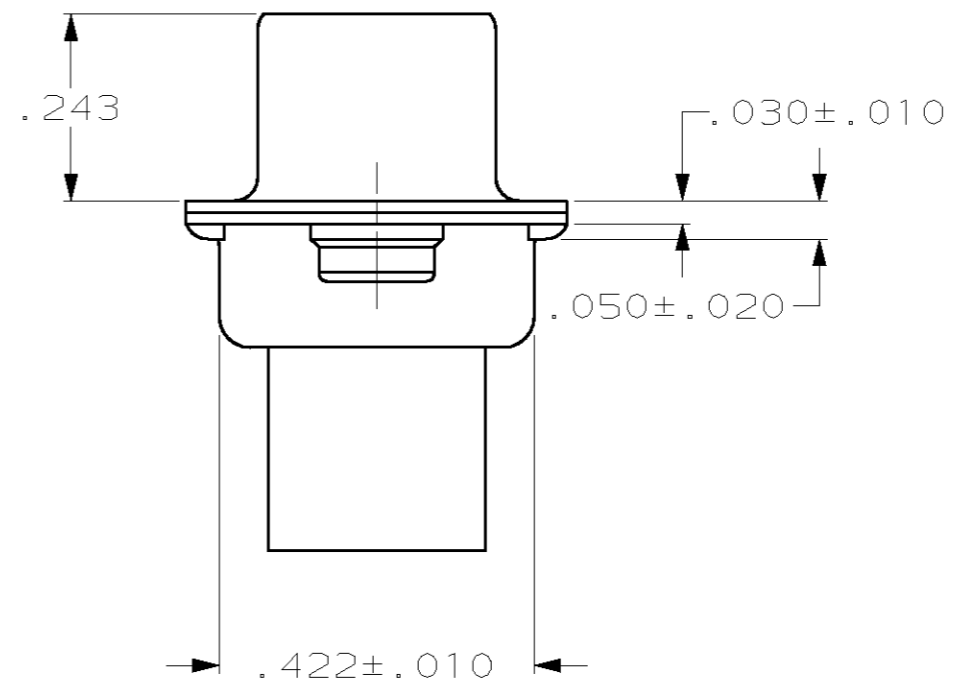
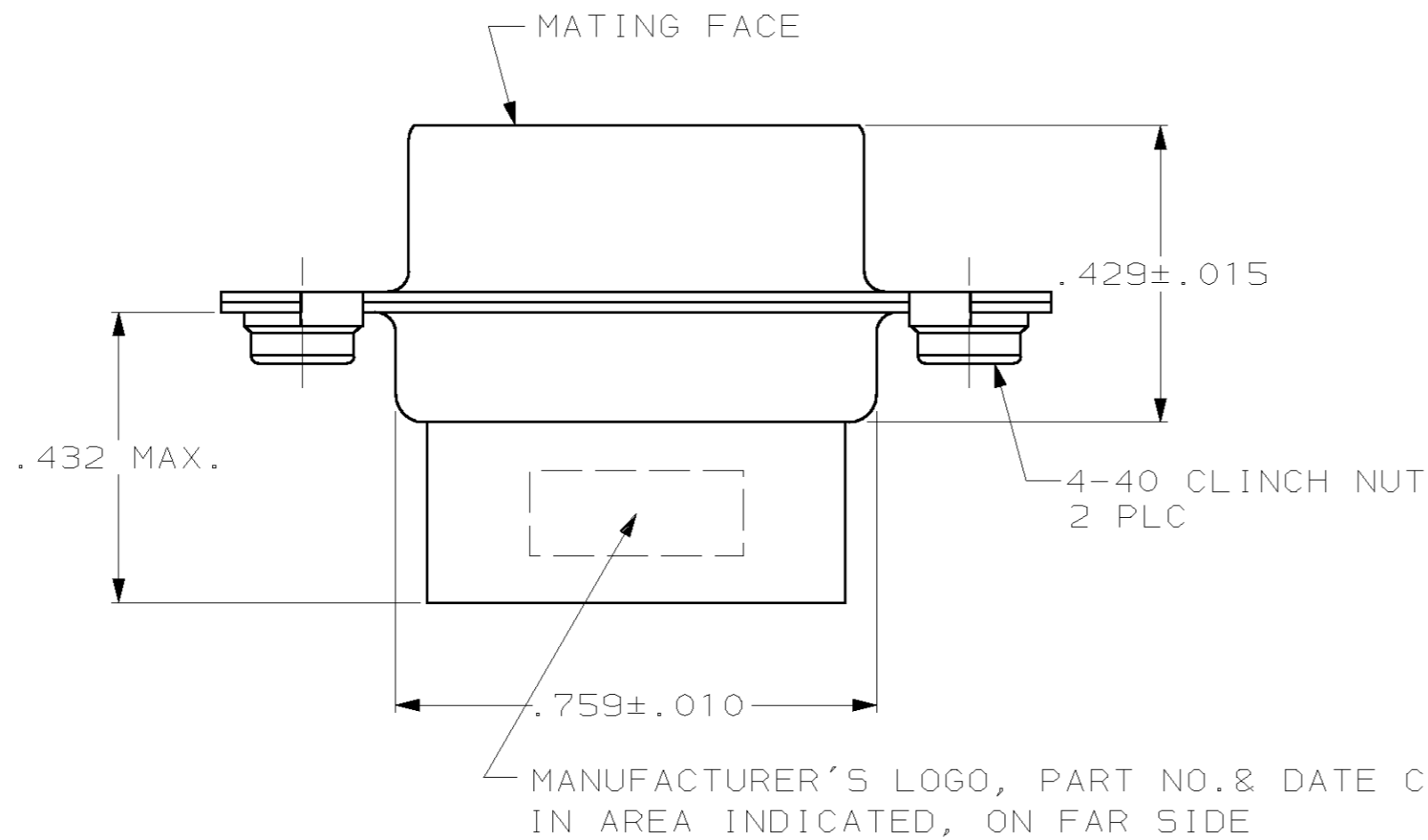


THIS DRAWING IS UNPUBLISHED. RELEASED FOR PUBLICATION
 BY AMP INCORPORATED, ALL RIGHTS RESERVED.

LOC	DIST	REVISIONS			
P	LTR	DESCRIPTION	DATE	DWN	APVD
GP	00	0	RELEASED PER EC 0513-0196-03	30JUL03	JR JG



- 1. CONNECTOR ACCEPTS SIZE 20 DF SOCKET CONTACTS, RETENTION TINES ARE AN INTEGRAL PART OF INSERT.
- 2. FLAME RETARDANT 94V-0 RATED THERMOPLASTIC; COLOR: BLACK.
- 3. STEEL PER ASTM A109.
- 4. .000200 MIN TIN PLATE OVER .000100 MIN COPPER UNDERPLATE.



1658643-1
PART NUMBER

THIS DRAWING IS A CONTROLLED DOCUMENT.		DWN	J. REITZEL	30JUL03	AMP Incorporated Harrisburg, PA 17105-3608
DIMENSIONS: INCH		CHK	S. BOLASH	30JUL03	
TOLERANCES UNLESS OTHERWISE SPECIFIED: 0 PLC ± 1 PLC ± 2 PLC ± 3 PLC ±.005 4 PLC ± ANGLES ±2°		APVD	M. WALMSLEY	30JUL03	
MATERIAL MOLDED PARTS: 3 SHELLS: 3		FINISH	SHELLS: 4		
PRODUCT SPEC 108-40005 APPLICATION SPEC 114-40030		NAME	RECEPTACLE CONNECTOR, SIZE 1, 9 POSN, WITH CLINCH NUTS, AMPLIMITE HDP		
CUSTOMER DRAWING		SIZE	A2	CAGE CODE	00779
SCALE		4:1	DRAWING NO		1658643
SHEET		1	OF		1
REV		0			

1658643

A